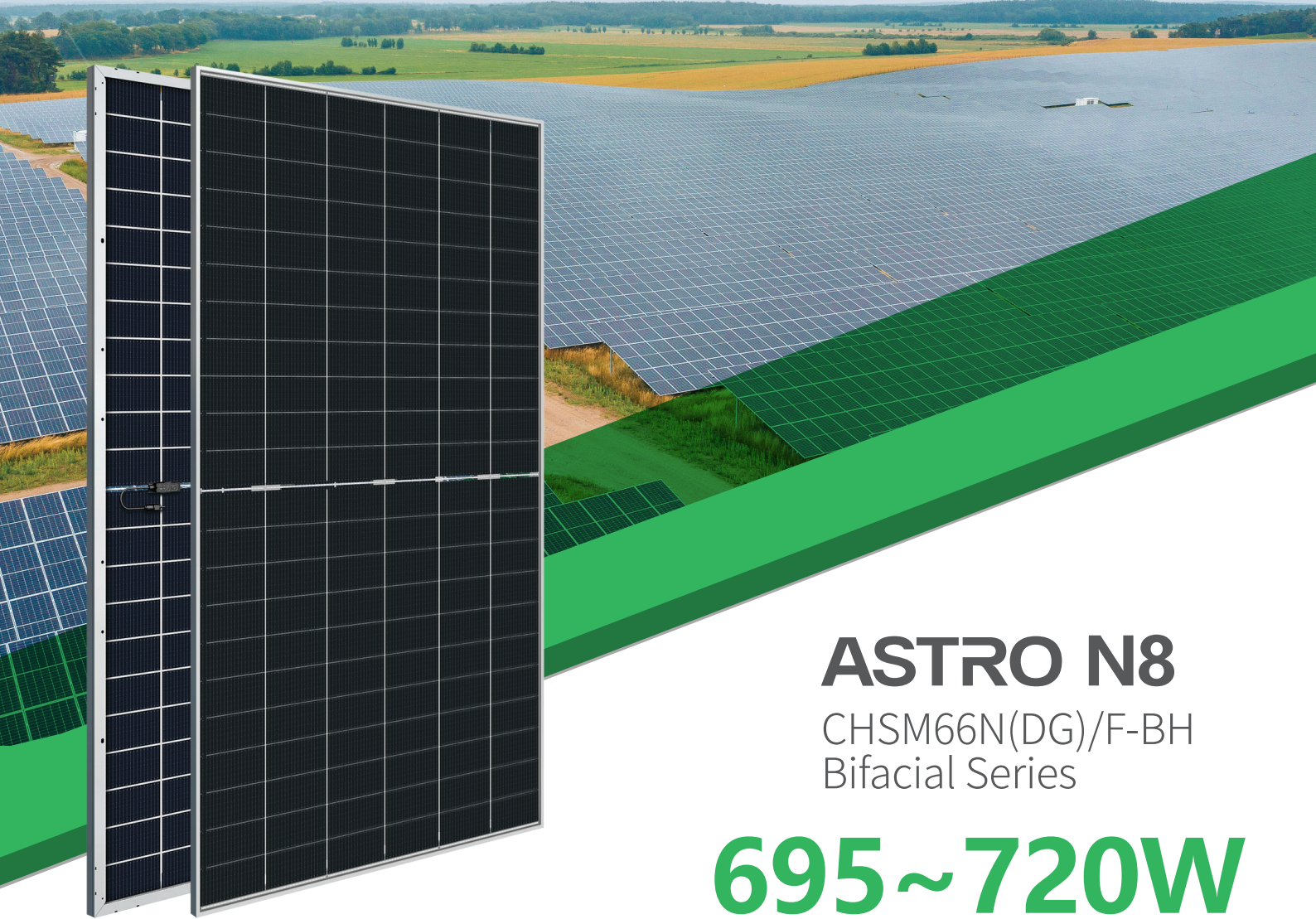




ASTRONERGY



ASTRO N8

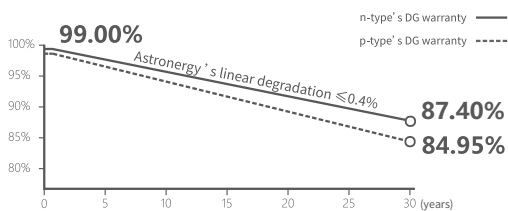
CHSM66N(DG)/F-BH
Bifacial Series

695~720W



Warranty

- 15** 15-year Product Warranty
- 30** 30-year Linear Power Warranty



n-type TOPCon 4.0

Novel upgrade, enhancing module efficiency



Low Voc Design

Increasing per string power, lower BOS cost and LCOE



Bifacial Power Generation

Maximizing bifaciality, boosting backside power output



Multi-scenario Applications

Compatible with mainstream application scenarios



IEC 61215, IEC 61730
 ISO 9001:2015:ISO Quality Management System
 ISO 14001:2015:ISO Environment Management System
 ISO 45001:Occupational Health and Safety
 The first solar company which passed the Nord IEC/TS 62941 certification audit



Tier 1
BloombergNEF



695~720W

POWER RANGE

0~+3%

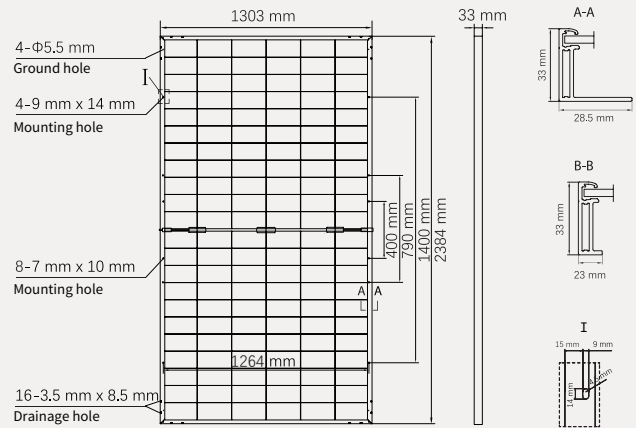
POWER SORTING

23.2%MAX MODULE
EFFICIENCY**≤ 1.0%**FIRST YEAR
POWER DEGRADATION**≤ 0.4%**YEAR 2-30
POWER DEGRADATION

Mechanical Specifications

Outer dimensions (L x W x H)	2384 x 1303 x 33 mm
Cell type	n-type mono-crystalline
No. of cells	132 (6*22)
Frame technology	Aluminum, silver anodized
Front / Back glass	2.0+2.0 mm
Cable length (Including connector)	Portrait: (+)350 mm, (-)250 mm; Customized length
Cable diameter (IEC/UL)	4 mm ² / 12 AWG
① Maximum mechanical test load	5400 Pa (front) / 2400 Pa (back)
Connector type (IEC/UL)	HCB40 (Standard) / MC4-EVO2A (Optional)
Module weight	38 kg
Packing unit	33 pcs / box
Weight of packing unit (for 40'HQ container)	1295 kg
Modules per 40' HQ container	594 pcs (Subject to sales contract)

① Refer to Astronergy crystalline installation manual or contact technical department.
Maximum Mechanical Test Load=1.5×Maximum Mechanical Design Load.



Electrical Specifications

STC: Irradiance 1000W/m², Cell Temperature 25° C, AM=1.5

	695	700	705	710	715	720
Rated output (Pmpp / Wp)	695	700	705	710	715	720
Rated voltage (Vmpp / V)	39.98	40.15	40.31	40.48	40.65	40.81
Rated current (Impp / A)	17.38	17.44	17.49	17.54	17.59	17.64
Open circuit voltage (Voc / V)	48.17	48.37	48.57	48.77	48.97	49.17
Short circuit current (Isc / A)	18.33	18.38	18.43	18.48	18.53	18.58
Module efficiency	22.4%	22.5%	22.7%	22.9%	23.0%	23.2%

BNPI: Irradiance: front 1000W/m², rear 135W/m², Cell Temperature 25° C, AM=1.5

	765	770	775	780	785	790
Rated output (Pmpp / Wp)	765	770	775	780	785	790
Rated voltage (Vmpp / V)	39.99	40.11	40.22	40.34	40.46	40.57
Rated current (Impp / A)	19.13	19.20	19.27	19.34	19.40	19.47
Open circuit voltage (Voc / V)	48.24	48.38	48.52	48.66	48.80	48.94
Short circuit current (Isc / A)	20.06	20.13	20.20	20.26	20.33	20.40

Temperature Ratings (STC)

Temperature coefficient (Pmpp)	-0.29%/°C
Temperature coefficient (Isc)	+0.043%/°C
Temperature coefficient (Voc)	-0.25%/°C

Operating Parameters

Bifaciality (Pmpp)	80±5%
Junction box IP rating	IP 68
Max. series fuse rating	35 A
Max. system voltage (IEC/UL)	1500V _{DC}

Curve

